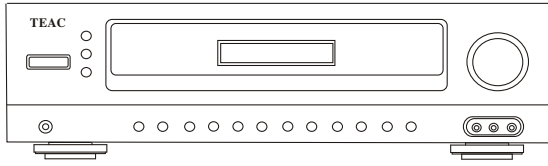


TEAC



SERVICE MANUAL

AG-D8800

AM/FM STEREO RECEIVER



NOTES

- PC board shown are viewed from parts side.
- The parts with no reference number or no parts number in the exploded views are not supplied.
- As regards the resistors and capacitors, refer to the circuit diagrams contained in this manual.
- ⚠ Parts marked with this sign are safety critical components. they must be replaced with identical components - refer to the appropriate parts list and ensure exact replacement.

[E]: EUROPE. [HKG]: HONG KONG

[SAF]: SOUTH AFRICA [AUS]: AUSTRALIA

CONTENTS

1 SPECIFICATIONS	2
2 ADJUSTMENT AND CHECKS	3
3 EXPLODED VIEW AND PARTS LIST	5
4 PC BOARDS AND PARTS LISTS	8
5 WIRING DIAGRAM	17
6 INCLUDED ACCESSORIES	19

AG-D8800

1 SPECIFICATIONS

AMPLIFIER Section

Output Power:	100+100 W (Stereo 0.7% THD,40Hz to 20 kHz,6 ohms) 120 W + 120 W (6 ohms, JEITA)
Surround Output Power	125 W per channel (0.7% THD, 1kHz, 6 ohms, only one channel driven) 150 W per channel (6 ohms, JEITA)
Total Harmonic Distortion:	0.09% (at 100 W, 1kHz, 6 ohms)
Audio Input Sensitivity/Impedance:	*LINE: 200 mV/47 k ohms
Output Level / Impedance (TAPE REC):	200 mV/22 k ohms
Frequency Response:	*LINE: 20 Hz - 50 kHz, +/-3 dB
Signal -to-Noise Ratio	*LINE: 92 dB (IHF-A)
Tone Control:	BASS: +/- 10 dB at 100 Hz, TREBLE: +/- 10 dB at 10 kHz

Digital Audio Section

Sampling Frequency:	32 kHz, 44.1 kHz, 48 kHz, 96 kHz
Digital Input Level:	COAXIAL (75 ohms): 0.5 Vp-p

Video Section

Output Level:	1 Vp-p (75 ohms)
Jacks:	RCA Jack

FM Tuner Section (Without notes 100.1 MHz, 65 dBf)

Tuning Range:	87.5 MHz - 108.0 MHz (50 kHz steps)
Total Harmonic Distortion (1 kHz):	Mono: 0.5% , Stereo: 0.8%
Frequency Response:	30 Hz - 15 kHz, +/- 3dB
Stereo Separation (1 kHz):	42 dB
Signal-to- Noise Ratio:	Mono: 70 dB / Stereo: 65 dB

AM Tuner Section

Tuning Range:	522 kHz - 1,611 kHz (9 kHz steps)
Usable Sensitivity :	500 uV/m
Total Harmonic Distortion :	1.5 % at 100 dB/m
Signal -to-Noise Ratio :	40 dB at 100 dB/m

GENERAL

Power Requirements:	AC 230V ,50 Hz
Power Consumption:	200 W (STANDBY: 3 W or less)
AC Outlets(expect Australia model, total 100 W max):	Switched x 1
Dimension (W x H x D):	440 x 141 x 330 mm
Weight:	9.9 kg

Standard Accessories:

AM Loop Antenna x 1
FM (T) Type Antenna x 1
FM Matching Transformer x 1
Remote Control Unit (RC-1040 or RC-1042) x 1
BATTERY (AAA, R03, UM-4) x 2
Instruction Booklet x 1

* LINE means CD, TAPE, VIDEO

- Design and specifications are subject to change without notice.
- Weight and dimensions are approximate.
- Illustrations may differ slightly from production model.

2 ADJUSTMENTS AND CHECKS

2-1 TUNER SECTION

- Use a screwdriver with a plastic or ceramic grip for all adjustment.

2-1-1 AM adjustment

1. Output of signal generator should not be greater than necessary to obtain an optimum output reading.
2. Signal generator modulation: 30%
3. Signal frequency: 400Hz
4. Modulator frequency: 603, 999, 1404kHz
5. Switch: press the BAND Button to AM

2-1-2 FM adjustment

1. Output of signal generation should not be greater than necessary to obtain an optimum output reading.
2. Signal generation modulation: MAIN: 90%, PILOT: 10%
3. Signal frequency: 1kHz / Deviation: 75 kHz
4. Modulation frequency : 90 MHz, 98 MHz, 106 MHz
5. Switch: press the BAND Buton to FM

2-2 Adjustment and Test Points

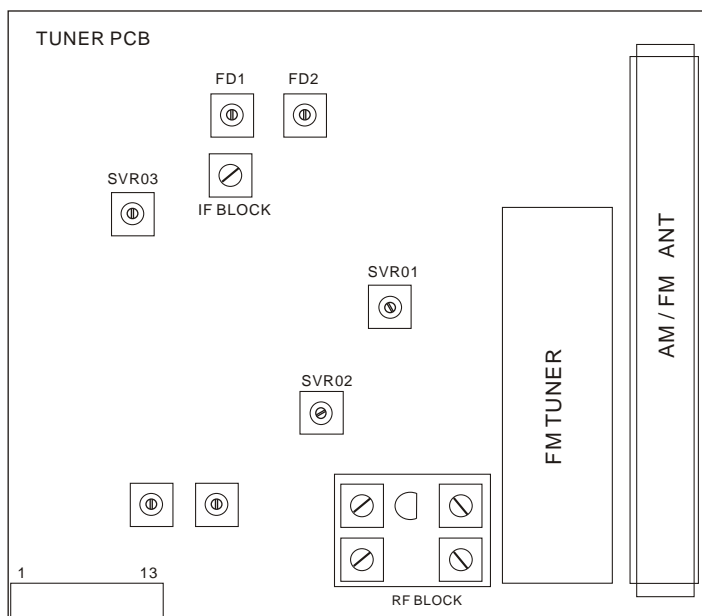


Fig. 2-2-1

AG-D8800

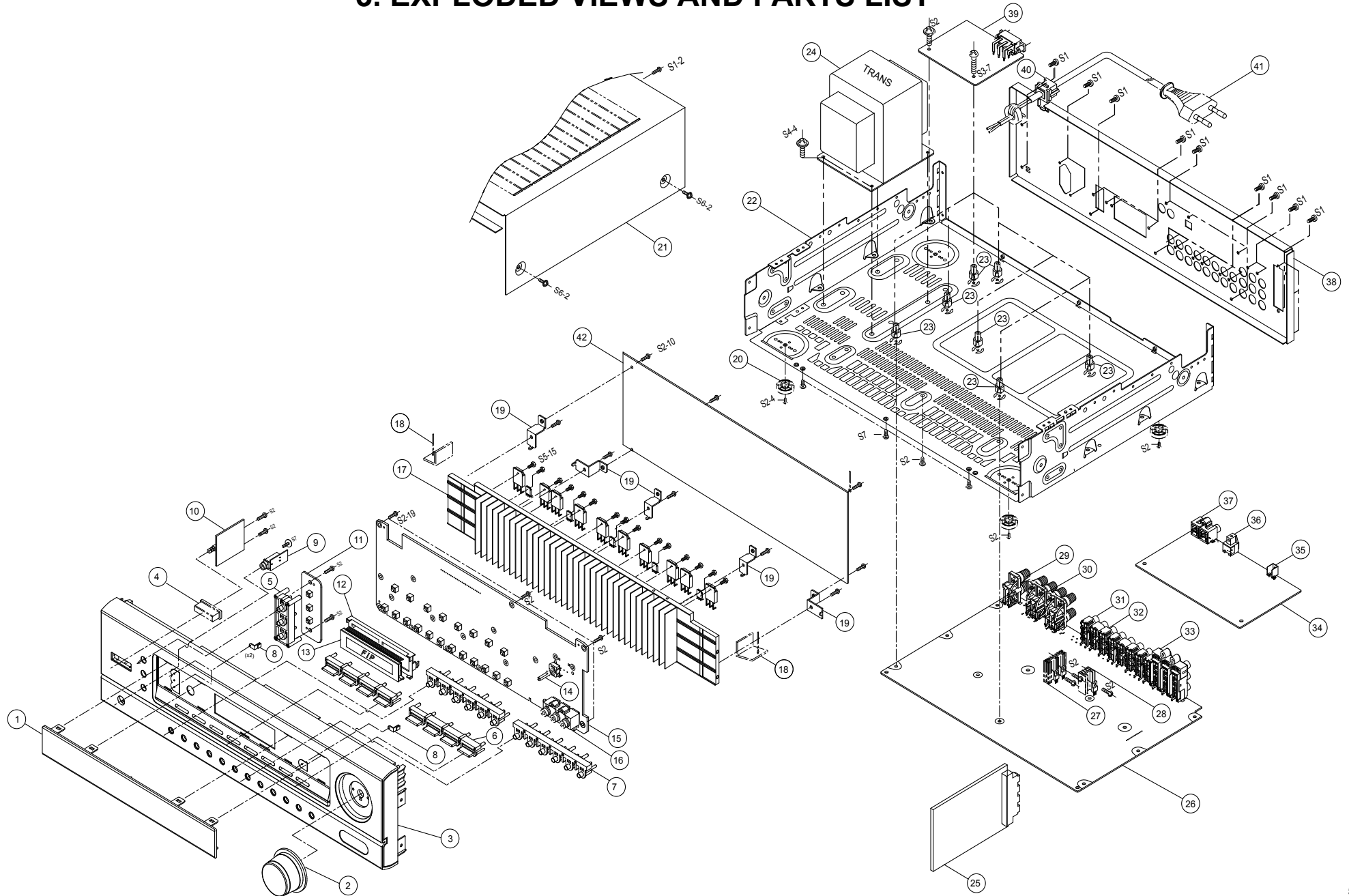
2-2-2 AM Tuner

STEP	Signal generator setting	Set frequency setting	Equipment connection	Adjust point	Adjust for
AM					
1. Tuning voltage	522kHz	522kHz	DC voltmeter	RF BLOCK OSC coil	520kHz: 1.1~1.3V 1710kHz: 7.2~8.5V (DC1.2V +/- 0.1V)
2. RF Tracking	603kHz	603kHz	AC voltmeter oscilloscope tape monitor L/R	RF BLOCK ANT coil	Maximize audio output repeat LOW, HIGH frequency
3. IF Tracking	603kHz	603kHz	AC voltmeter oscilloscope tape monitor L/R	IF BLOCK Coil KSNT-1041	Maximize audio output
4. Seek level	603kHz	603kHz	AC voltmeter oscilloscope tape monitor L/R	SVR 03	Tuned on point

2-2-3 FM Tuner

STEP	Signal generator setting	Set frequency setting	Equipment connection	Adjust point	Adjust for
FM					
1. Tuning voltage	87.5 MHz 108 MHz	87.5 MHz 108 MHz	DC voltmeter		87.5MHz: 1.35~1.65V 108MHz: 6.5~8.5V (DC 1.2 +/- 0.1V)
2. FM DET.0V and Distortion Adj	98.1 MHz	98.1 MHz	AC voltmeter oscilloscope DC voltmeter tape monitor L/R	FD1, FD2, R17	Maximize 0V and distortion
3. Seek stop level	98.1 MHz	98.1 MHz	AC voltmeter oscilloscope tape monitor L/R	SVR01	Scan stop point to 18 dBu (TUNED) indicator lights on FL display
4. STEREO Separation	98.1 MHz	98.1 MHz	AC voltmeter and scope to tape monitor of L/R channel	MIX coil CO4 SVR02	Push the signal generator R-CH or L-CH button

3. EXPLODED VIEWS AND PARTS LIST



AG-D8800

EXPLODED VIEW-1

REF. NO	PARTS NO.	DESCRIPTION	REMARKS
1-1	5077212093010S	WINDOW	
1-2	5087211131100S	KNOB VOLUME	
1-3	3067212081100S	FRONT PANEL [E]	
	3067212081120S	FRONT PANEL [AUS,SAF,HKG]	
1-4	5097212681100S	BUTTON POWER	
1-5	5097212651100S	BUTTON 3-KEY	
1-6	5097212661100S	BUTTON 4-KEY	
1-7	5097212671100S	BUTTON 6-KEY	
1-8	5160040643010	INDICATOR	
1-9	7028063623020	HEADPHONE PCB SUB ASSY	
1-10	7028063624010	POWER SW PCB SUB ASSY	
1-11	7028063622010	SW PCB SUB ASSY	
1-12	432004078101A	HOLDER FL	
1-13	K530121300010	DISPLAY - VDF 29-1213N	
1-14	G121123070010	SW ENCODER	
1-15	7028063621020	FRONT PCB SUB ASSY [E]	
	7028063621040	FRONT PCB SUB ASSY [AUS, SAF, HKG]	
1-16	G606040320020	TER, RCA 3PIN	
1-17	2120210538000	HEAT SINK POWER	
1-18	4330000310000	CLAMP	
1-19	4010056906010	BRACKET	
1-20	4007040241040S	FOOT (H/S, GOLD)	
1-21	3007041236094S	CABINET TOP	
1-22	3200200026010S	CHASSIS MAIN	
1-23	4300040561010S	SPACER	
1-24	8200960560090S	TRANSFORMER 230V/50HZ	
1-25	E900901410021	TUNER, FM	
1-26	7028060191021	MAIN PCB SUB ASSY [E]	
	7028060191041	MAIN PCB SUB ASSY [AUS,SAF,HKG]	
1-27	2120043538030	HEAT SINK	
1-28	2120044298010	HEAT SINK	
1-29	G611201A0700Y	TER, BOARD SCREW 2P	
1-30	G614801A1000Y	TER, BOARD SCREW 8P	
1-31	G602040045030	TER, RCA 4P	
1-32	G603060046020	TER, RCA 6P	
1-33	G607908A0400Y	TER, RCA 9P	
1-34	7028062181050	DSP PCB SUB ASSY	
1-35	3070045526010	SHIELD PLATE	
1-36	E100116500040S	MODULE	
1-37	G601020009100	TER, RCA 2P	
1-38	3207211616100S	CHASSIS BACK [E,SAF,HKG]	
	3207211616300S	CHASSIS BACK [AUS]	
1-39	70280600910V0	POWER PCB SUB ASSY	
1-40	4380040162010S	STOPPER	
1-41	L068040260010	AC CORD ASSY [E, SAF]	
	L068040230060	AC CORD ASSY [AUS]	
	L068040280010	AC CORD ASSY [HKG]	





EXPLODED VIEW-1

REF. NO	PARTS NO.	DESCRIPTION	REMARKS
1-42	7028062221010	AMP PCB SUB ASSY	
S1	B020030103B11S	SCREW 3x10mm - DOT/BK	
S2	B020030081B10S	SCREW 3x8mm - ZNY/BH	
S3	B02003017B10S	SCREW 3x17mm - ZNY/BH	
S4	B028940081B10S	SCREW 4x8mm - ZNY/BH	
S5	1507041146010	SCREW 3x16mm - ZNY/HH	
S6	1500040084B10S	SCREW 4 x 8mm - ZNY/BH	
S7	1500001456020	SCREW WASHER 3x8mm - ZNY/BH	




AG-D8800

4 PC BOARDS AND PARTS LIST

MAIN PCB SUB ASSY

REF. NO	PARTS NO.	DESCRIPTION	REMARKS
	7028060191021	MAIN PCB SUB ASSY [E]	
	7028060191041	MAIN PCB SUB ASSY [AUS,SAF,HKG]	
	7020060190003	MAIN PCB	
C112,113	 D04022208521C	C.ELECT - 2200UF/35V	
C118	 D040472084210	C.ELECT - 4700UF/25V	
C124,125	 D040682088010	C.ELECT - 6800UF/6.3V	
CP101	L102526701000	CN WAFER 2.5MM 10PIN	
CP102	L102526700900	CN WAFER 2.5MM 9PIN	
CP103	L102526700400	CN WAFER 2.5MM 4PIN	
CP104	L104353280300	CN WAFER 3.96MM 10PIN	
CP105	L102526700600	CN WAFER 2.5MM 6PIN	
CP401	L101353361310	CN WAFER 2MM 13PIN	
CP402	L101220050000	CN WAFER 2MM 5PIN	
CP403	L131112500010	CN FPC 1.25MM 25PIN	
CN404	L1013533603101	CN WAFER 2MM 3PIN	
CN405	L101100030610S	CN WAFER 2MM 6PIN	
CP404	L101352370310	CN WAFER 2MM 3PIN	
D101-106,115, D412,413	K000013300520	DIODE - 1SS133T	
D107-112	K000400700520	DIODE - 1N4007	
D113,114	 K047604000020	DIODE BRIDGR - KBPC604 6A	
D403,404L,404R, D405L,405R,406, D407,408L,408R, D409L,409R	K005041480020	DIODE CHIP - 1N4148W	
D410L,410R,411	K000013300520	DIODE - 1SS133T	
IC101	J126781500090	IC - CJ7815	
IC102	J126791500070	IC - CJ7915F	
IC103	J126780500430	IC - CJ7805	
IC401	J080927300000	IC - TC9273N-007	
IC402,407-409	J121455800140	IC - BA4558F	
IC403	J040731200010	IC - NJU7312AL	
IC404	J171795200000	IC - LA7952	
IC406	J084624460020	IC - M62446AFP	
JACK402,403	G603060046020	TER, RCA 6PIN	
JACK404	G602040045030	TER, RCA 4PIN	
JACK SPK	G607908A0400Y	TER, RCA 9PIN	
L901SL,901SR	D330900001330	INDUCTOR - SP-2507	
RLY101	G680240502020	RELAY G5PA-28-5A	
Q101	J5023200B0050	TR - KTC3200BL	
Q102	J5001268B0050	TR - KTA1268BL	
Q103,104	J5001266Y0050	TR - KTA1266Y	
Q105	J6020107M0010	TR - KRC107M	
Q106	J5000992F0050	TR - KSA992F	
Q107-112	J5021740S0010	TR - 2SC1740SR	

MAIN PCB SUB ASSY

REF. NO	PARTS NO.	DESCRIPTION	REMARKS
Q401,402	J5223880O0210	TR CHIP - KTC3880S	
Q403-405,408, Q411,414	J522107S00210	TR CHIP - KRC107S	
Q406,409,412,415	J5200107S0050	TR CHIP - KRA107S	
Q407L,407R,410, Q413L,413R	J5220231M0010	TR CHIP - KRC231S	
Q416	J5222875B0010	TR CHIP - KTC2875B	
Q417L,417R,418	J5441170Y0050	FET - 2SK117Y	
Q419	J5200107S0050	TR CHIP - KRA107S	
Q420	J522107S00210	TR CHIP - KRC107S	
R145-148 	C060R22065050	R.METAL FILM 0.22J 1W	
R441 	C060022165050	R.METAL FILM 220J 1W	
R902C,902FL, 	C060010065050	R.METAL FILM 10J 1W	
R902FR,902SL, R902SR			
ZD101	K06005R144520	ZENER DIODE - MTZJ5.1B 1/2W	
ZD401	K06012R044520	ZENER DIODE - MTZJ12B 1/2W	
ZD402,403	K06006R844520	ZENER DIODE - MTZJ6.8B 1/2W	

FRONT PCB SUB ASSY

REF. NO	PARTS NO.	DESCRIPTION	REMARKS
CB301,302	7028063621020	FRONT PCB SUB ASSY [E]	
	7028063621040	FRONT PCB SUB ASSY [AUS, SAF, HKG]	
	7020063620000S	FRONT PCB	
	D340160800060	COIL BEAD MB-160808-0120H - SMD	
D301-303,305, D320-322	K005041480020	DIODE CHIP - 1N4148	
D304,310-317 FPC301	K000013300520 L131102500010	DIODE - 1SS133T CN. FPC 1.25MM 25PIN	
FLT301	K530121300010	DISPLAY VFD 29-1213N	
IC302	J124192400010	IC - BU1924F	
JACK301	G606040320020	TER, RCA 3PIN	
L301	D330100700520	FILTER INDUCTOR 10UH	
LED301-303	K500033000010	LED ROUND (YELLOW)	
Q301-305	J522107S00210	TR CHIP - KRC107S	
SEN301	E940343800010P	MODULE,REMOCON NJL34H380A	
SW304-323	G180000270010	TACT SW SKHV10920A 5MM	
VR301	G121123070010	VR. REB12307PVB30FINB1-2-24E	
XTAL301	E830100000060	RESONATOR,CERAMIC ZTT10.00MT-TF	
XTAL302	E800433200090	CRYSTAL 4.332MHz	
ZD301	K06005R144520	ZENER DIODE MTZJ5.1B 1/2W	

HEADPHONE PCB SUB ASSY

REF. NO	PARTS NO.	DESCRIPTION	REMARKS
CN304	7028063623020	HEADPHONE PCB SUBASSY	
JACK101	N621604361330	CN ASSY 2.5MM 4PIN	
	G402PJ619A01Y	HEADPHONE JACK D6.5MM	

SW PCB SUB ASSY

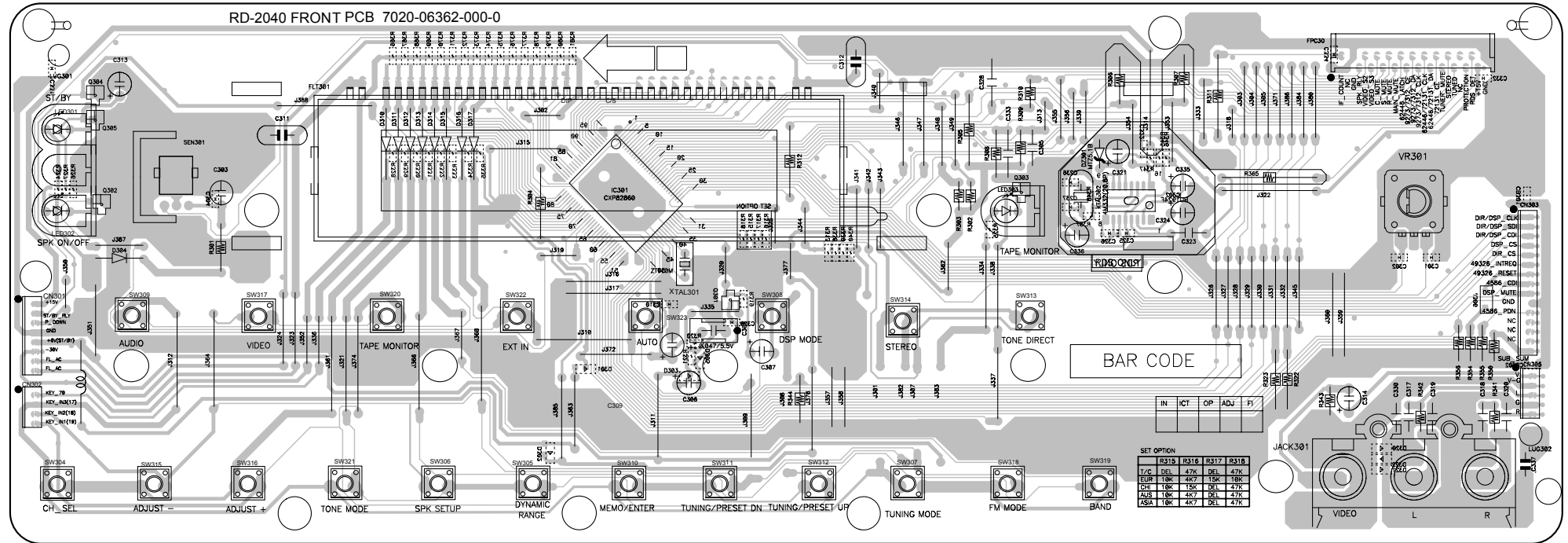
REF. NO	PARTS NO.	DESCRIPTION	REMARKS
CP302	7028063622010	SW PCB SUB ASSY	
SW301-303	L101220040010	CN WAFER 2MM 4PIN	
	G180000270010	TACT SW 5MM	

POWER SW PCB SUB PCB ASSY

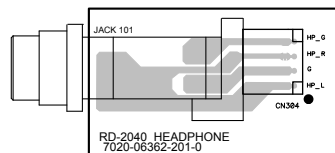
REF. NO	PARTS NO.	DESCRIPTION	REMARKS
CN713	7028063624010	POWER SW PCB SUB ASSY	
SW701	L000351020090	CN WIRE 350MM 2PIN	
	G000122006060	PUSH SW SDDL-005-S	

AG-D8800

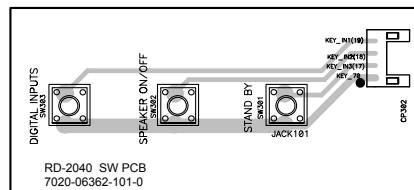
FRONT PCB



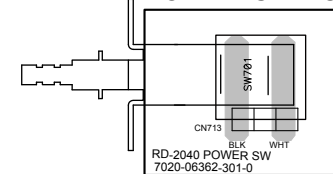
HEADPHONE PCB



SW PCB



POWER SW PCB



AMP PCB SUB ASSY

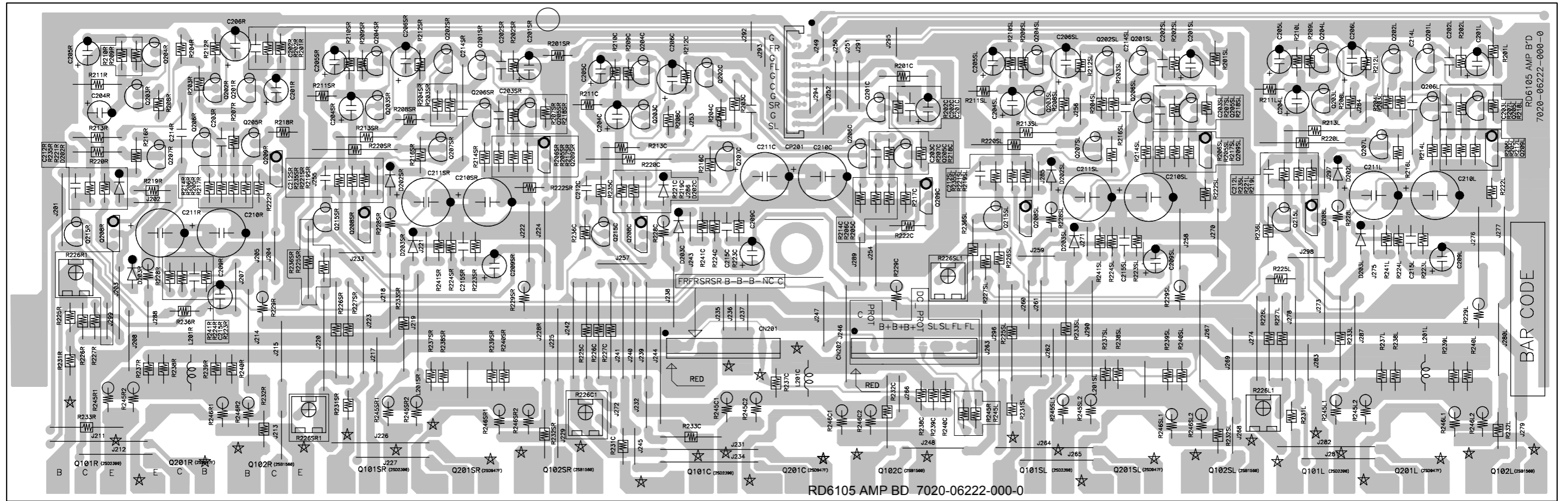
REF. NO	PARTS NO.	DESCRIPTION	REMARKS
	7028062221010	AMP PCB SUB ASSY	
	7020062220000	AMP PCB	
CP201	L101220100000	CN WAFER 2MM 10PIN	
D202C,202L,202R, D202SR,202SL, D203C,203L,203R, D203SL,203SR	K000013300520	DIODE - 1SS133T	
JACK301	G606040320020	TER RCA 3PIN	
L201C,201L,201R	D330900001330	FILTER INDUCTOR - SP-2507	
Q201C,201L,201R, Q201SL,201SR, Q202C,202L,202R, Q202SL,202SR,203C Q203L,203R,203SL, Q203SR,204C,204L, Q204R,204SL,204SR, Q207C,207L,207R, Q207SL,207SR	J5000992F0050	TR - KSA992F	
Q208C,208L,208R, Q208SL,208SR	J5001024Y0050	TR - KTA1024Y	
Q205C,205L,205R, Q205SL,205SR, Q206C,206L,206R, Q206SL,206SR, Q215C,215L,215R, Q215SL,215SR	J5021845F0000	TR - KSC1845F	
Q209C,209L,209L, Q209SL,209SR	J5023206Y0050	TR - KTC3206Y	

POWER PCB SUB ASSY

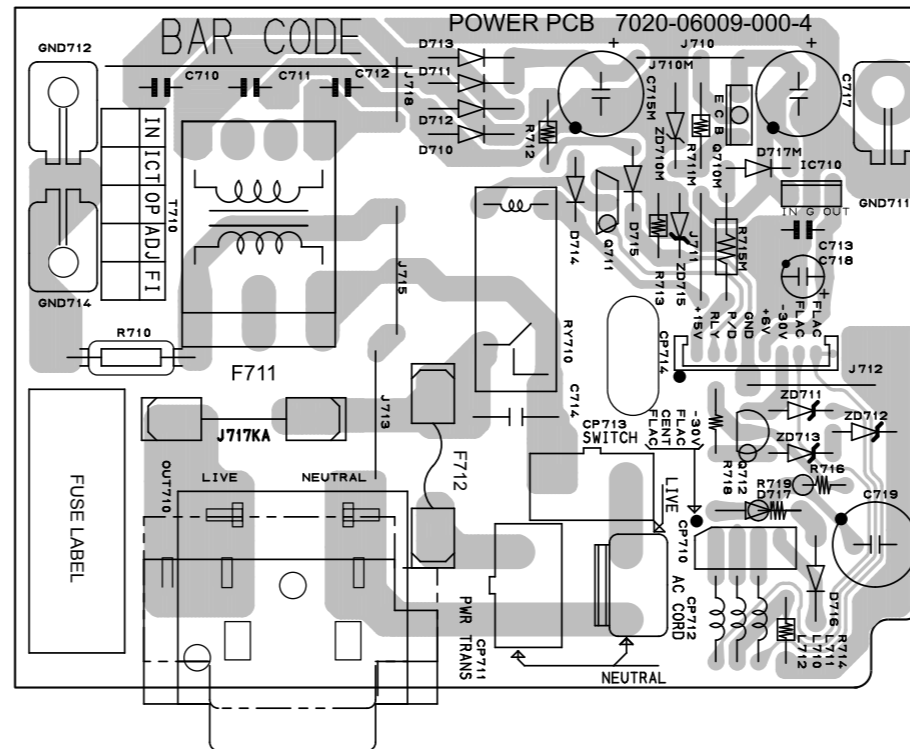
REF. NO	PARTS NO.	DESCRIPTION	REMARKS
	70280600910V0	POWER PCB SUB ASSY	
	7020060090004	POWER PCB	
	G435040110000	POWER SOCKET	
CP710	L102526700400	CN WAFER 2.5MM 4PIN	
CP711,713	L1043532803200	CN WAFER 3.96MM 2PIN	
CP712	L108039602010	CN WAFER 7.92MM 2PIN	
CP714	L101220080000	CN WAFER 2MM 8PIN	
D710-713	K000400700520	DIODE - 1N4007	
D714-717	K000013300520	DIODE - 1SS133T	
F711	△ N751222501110	FUSE GLASS T2.5A/250V	
F712	△ N751224001110	FUSE GLASS T4A/250V	
IC710	J126780600190	IC - CJ7806	
L710	D330100700520	FILTER INDUCTOR - 10UH	
Q711	J6020107M0010	TR - KRC107M	
Q712	J5000916Y0050	TR - KSA916Y	
RY710	G680090102010	RELAY G5P-1 DC9V	
T710	△ 8200280150260S	POWER TRANSFORMER	
ZD711	K06007R544520	ZENER DIODE MTZJ 7.5B 1/2W	
ZD712,713	K06015R044520	ZENER DIODE MTZJ 15B 1/2W	
ZD715	K06004R344520	ZENER DIODE MTZJ 4.3B 1/2W	

AG-D8800

AMP PCB



POWER PCB

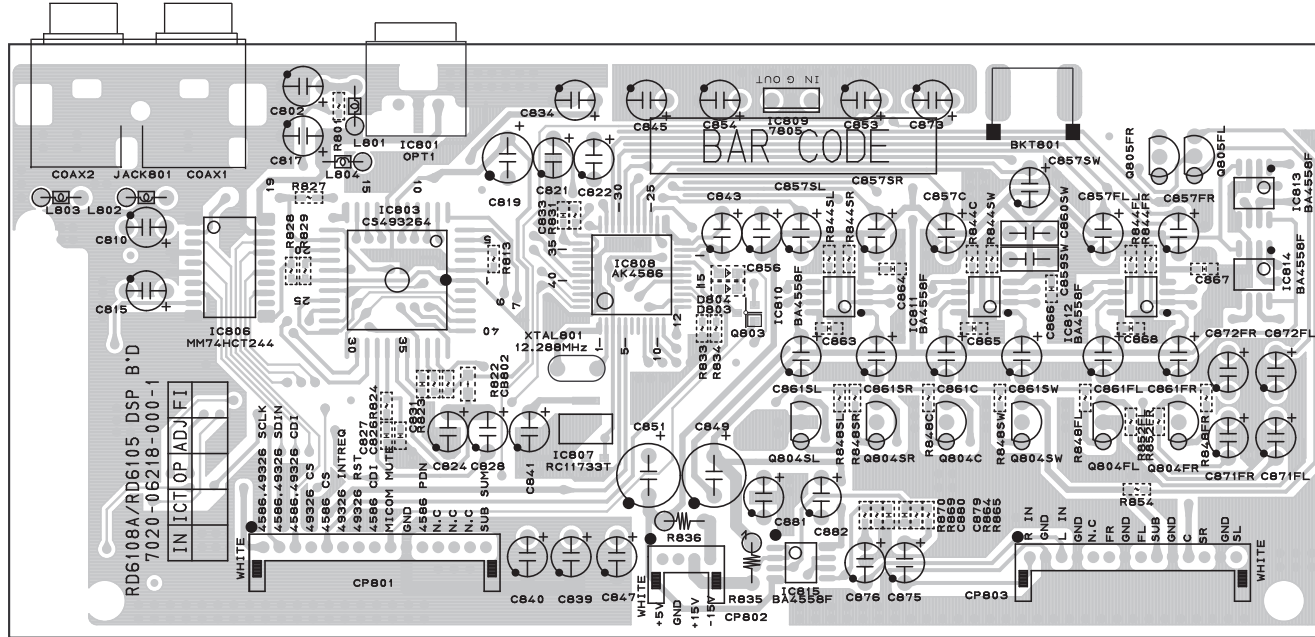


DSP PCB SUB ASSY

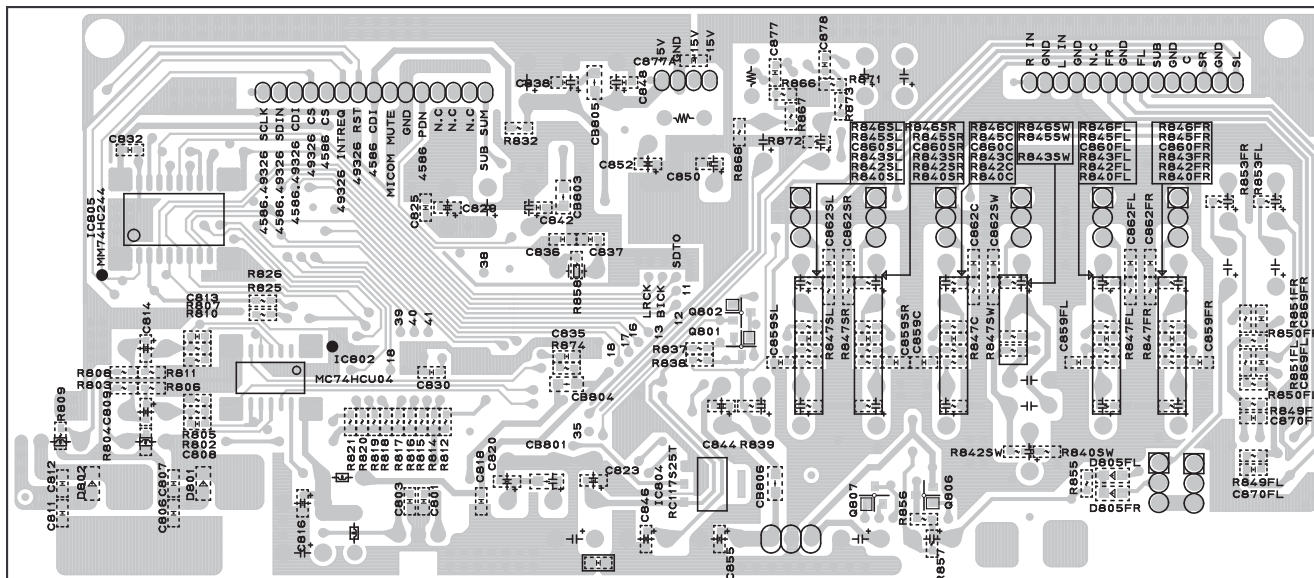
REF. NO	PARTS NO.	DESCRIPTION	REMARKS
	7028062181050	DSP PCB SUB ASSY	
	7020062180001	DSP PCB	
CB801-806	7611010000020	COIL BEAD CHIP HB-IT2012-121JT	
CP801	L101220150010	CN WAFER 2MM 15PIN	
CP802	L101220040010	CN WAFER 2MM 4PIN	
CP803	L101220140010	CN WAFER 2MM 14PIN	
D801-803,805FL, D805FR	K005041480020	DIODE CHIP - 1N4148W	
IC801	E100116500040S	MODULE-JSR1165-C	
IC802	J040740400260	IC - 74VHCU04	
IC803	J080493260020	IC - CS493264-CL	
IC804	J126111725020	IC - RC1117-2.5	
IC805	J040742440170	IC - MM74HC244WMX	
IC806	J040742440160	IC - MM74HCT244WMX	
IC807	J126111733020	IC - RC1117-3.3	
IC808	J080458600010	IC - AK4586VQ	
IC809	J126780500430	IC - CJ7805	
IC810-815	J121455800150	IC - CJ4558CP	
JK801	G601020009100	TER, RCA 2PIN	
L801,804	D3304R7000150	FILTER INDUCTOR - 4.7UH	
L802,803	D3302R2000150	FILER INDUCTOR - 2.2UH	
Q801,803,806	J5200107S0050	TR. CHIP - KRA107S	
Q802,807	J522107S00210	TR. CHIP - KRC107S	
Q804C,804FL, Q804FR,804SL Q804SR,804SW	J502287400010	TR - KTC2874B	
Q805FL,805FR	J5441170Y0050	FET - 2SK117Y	
XTAL801	E80012R288080	CRYSTAL 12.288MHZ	

AG-D8800

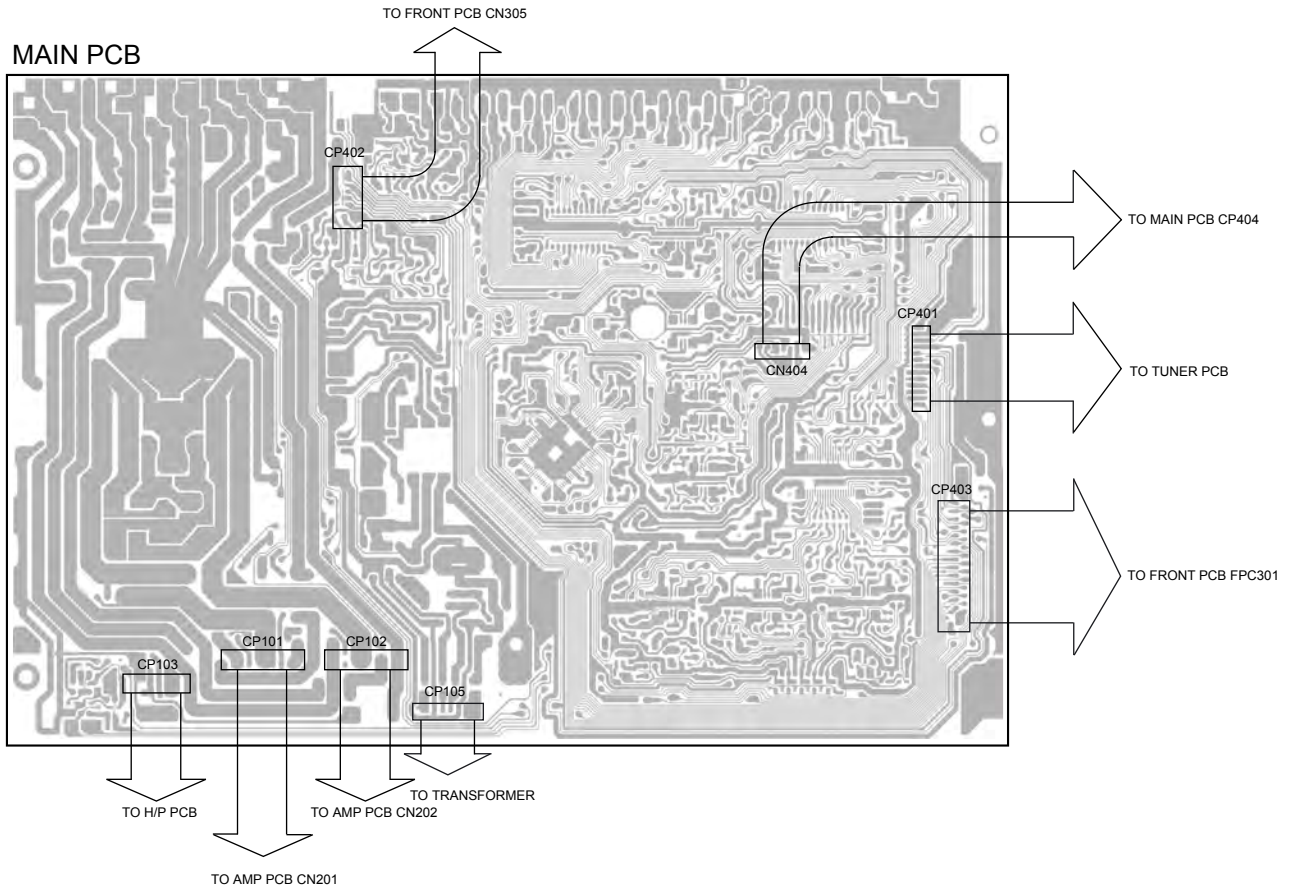
DSP PCB - TOP



DSP PCB - BOTTOM

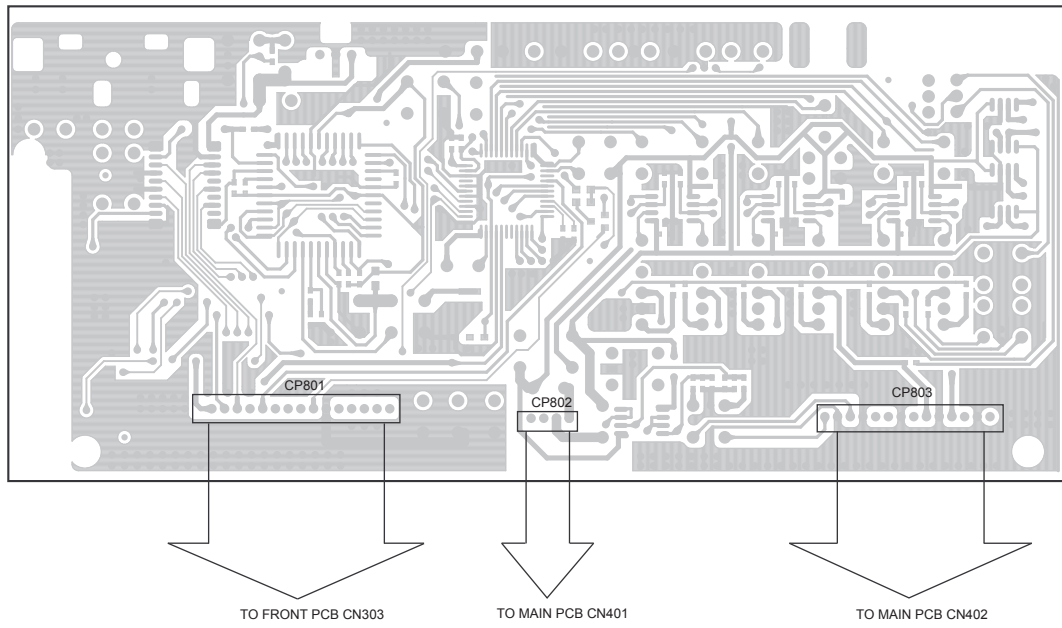


5 WIRING DIAGRAM

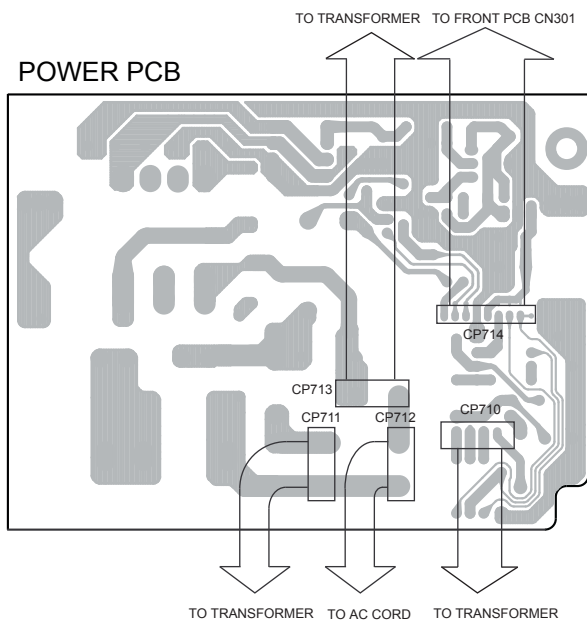


AG-D8800

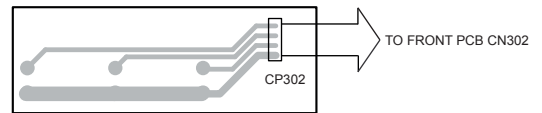
DSP PCB



POWER PCB



SW PCB



6 INCLUDED ACCESSORIES

INCLUDED ACCESSORIES

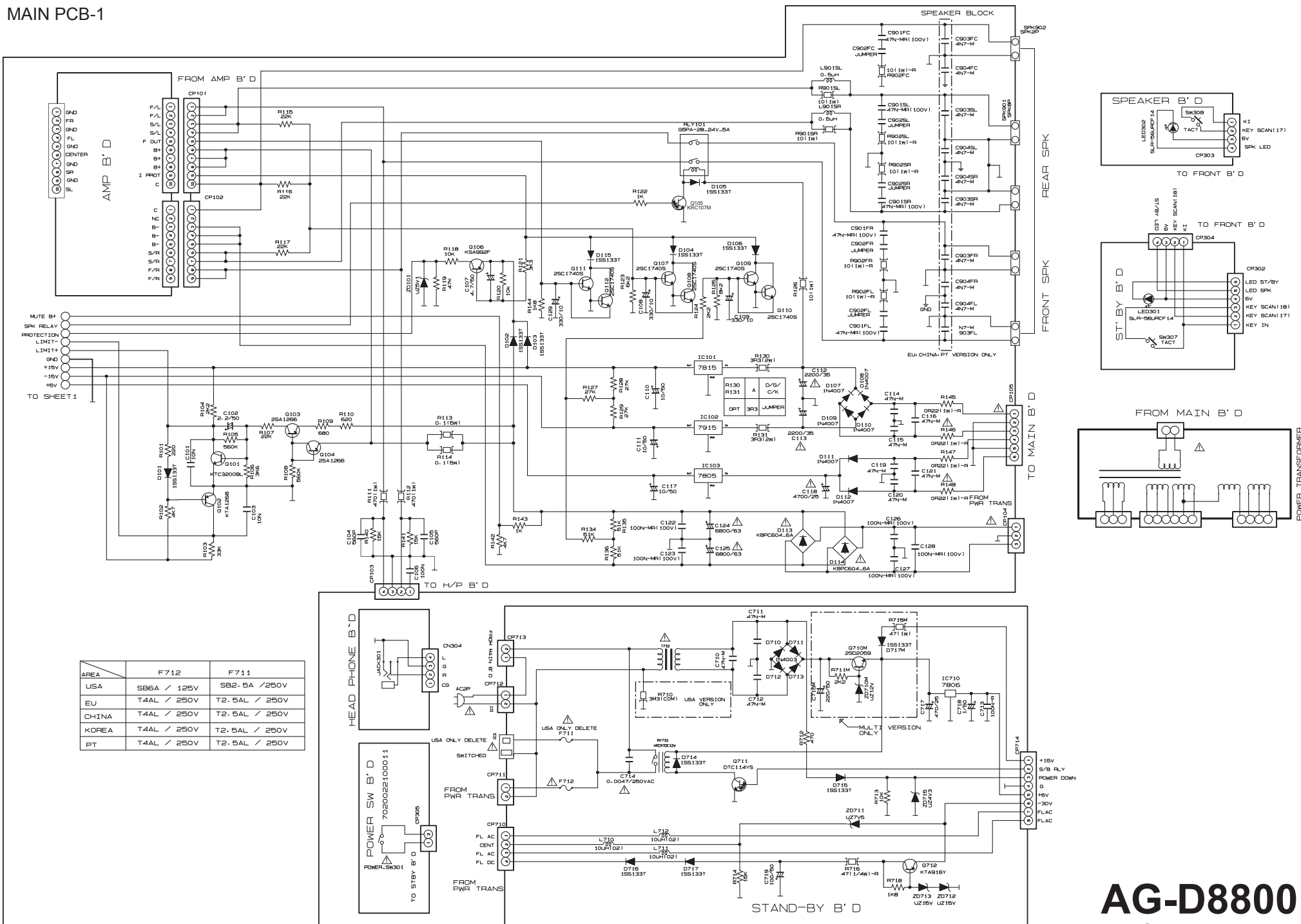
REF. NO	PARTS NO.	DESCRIPTION	REMARKS
	5707047350400S	INSTRUCTION MANUAL - E/F/S [E]	
	5707047350410S	INSTRUCTION MANUAL - E/S/G/I/D [E]	
	5707047350430S	INSTRUCTION MANUAL - E [AUS, SAF, HKG]	
	E601010000000	ANTENNAAN LOOP	
	G670001R50210	BATTERY GP24G AAA SIZE 1.5V	
	8300582500010S	REMOTE CONTROL - RC1040 [E]	
	8300582500020S	REMOTE CONTROL - RC1042 [AUS, SAF, HKG]	

AG-D8800

TEAC

TEAC CORPORATION	3-7-3 Nakacho, Musashino-shi, Tokyo 180-8550, Japan Phone:(0422)52-5081
TEAC AMERICA, INC.	7733 Telegraph Road, Montebello, California 90640 Phone: (323)726-0303
TEAC CANADA LTD.	5939 Wallace Street, Mississauga, Ontario L4Z 1Z8, Canada Phone: (905)-890-8008
TEAC MEXICO, S.A.De C.V.	Campesinos 184,Col. Granjas Esmeralda, 09810, Mexico Phone: (525)-581-5500
TEAC UK LIMITED	5 Marlin House, Croxley Business Park, Watford, Hertfordshire, WD18 8TE, U.K. Phone: 01923-819699
TEAC DEUTSCHLAND GmbH	Bahnstrasse 12, 65205 Wiesbaden-Erbenheim, Germany Phone:0611-71580
TEAC FRANCE S.A.	17, Rue Alexis-de-Tocqueville, CE 005 92182 Antony Cedex, France Phone:(1)42.37.01.02
TEAC NEDERLAND BV	Oeverkruid 15,NL-4941 W Raamsdonksveer, Nederland Phone:0162-510210
TEAC BELGIUM NV/SA.	c/o TEAC NEDERLAND BV, Oeverkruid 15, NL-4941 W Raamsdonksveer, Nederland Phone:+31-162-510860
TEAC ITALIANA S.p.A.	Via C, Cantu 11, 20092 Cinisello Balsamo, Milano, Italy Phone:02-66010550
TEAC AUSTRALIA PTY., LTD.	280 William Street, Melbourne VIC 3000, Australia Phone:(03)9672-2400
A.B.N.	80 005 408 462

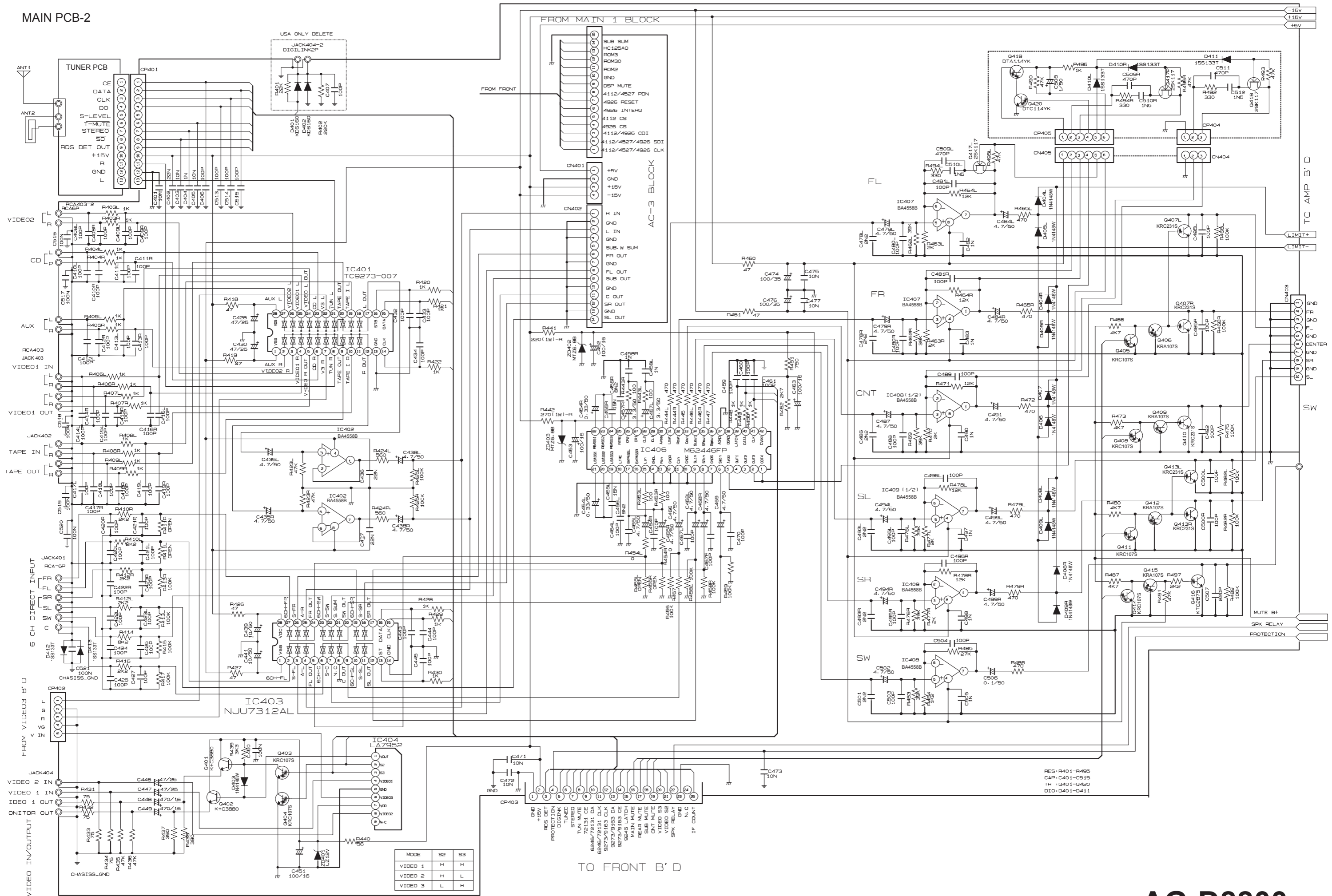
MAIN PCB-1



AREA	F712	F711
USA	S86A / 125V	S82.5A / 250V
EU	T.4AL / 250V	T2.5AL / 250V
CHINA	T.4AL / 250V	T2.5AL / 250V
KOREA	T.4AL / 250V	T2.5AL / 250V
PT	T.4AL / 250V	T2.5AL / 250V

AG-D8800
AM/FM Stereo Receiver

MAIN PCB-2



TO FRONT B'D

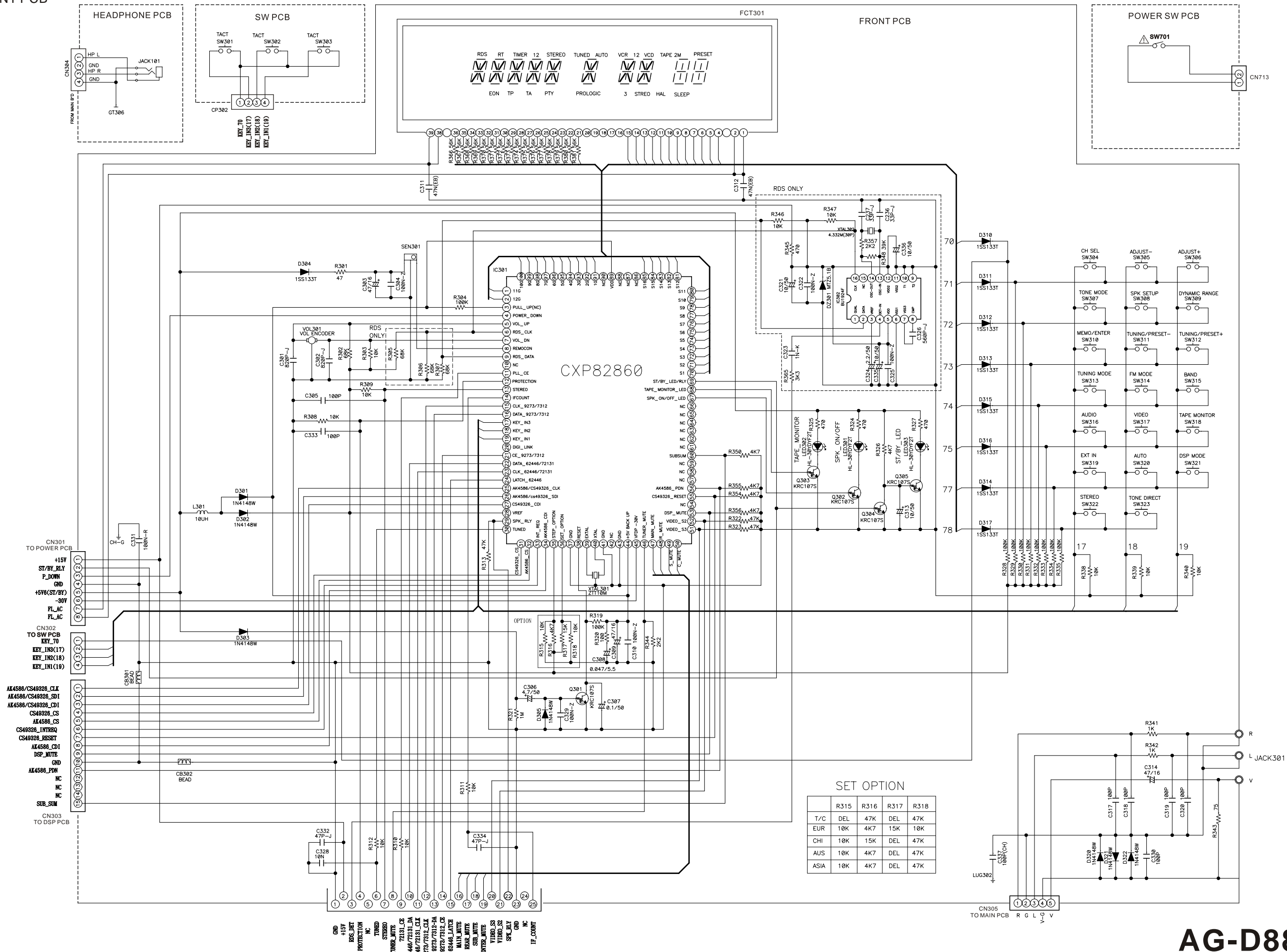
TO AMP B'D

MODE	S3	S2
VIDEO 1	H	H
VIDEO 2	H	L
VIDEO 3	L	H

RES: R401-R495
CAP: C401-C515
TR: Q401-Q420
DIO: D401-D411

AG-D8800
AM/FM Stereo Receiver

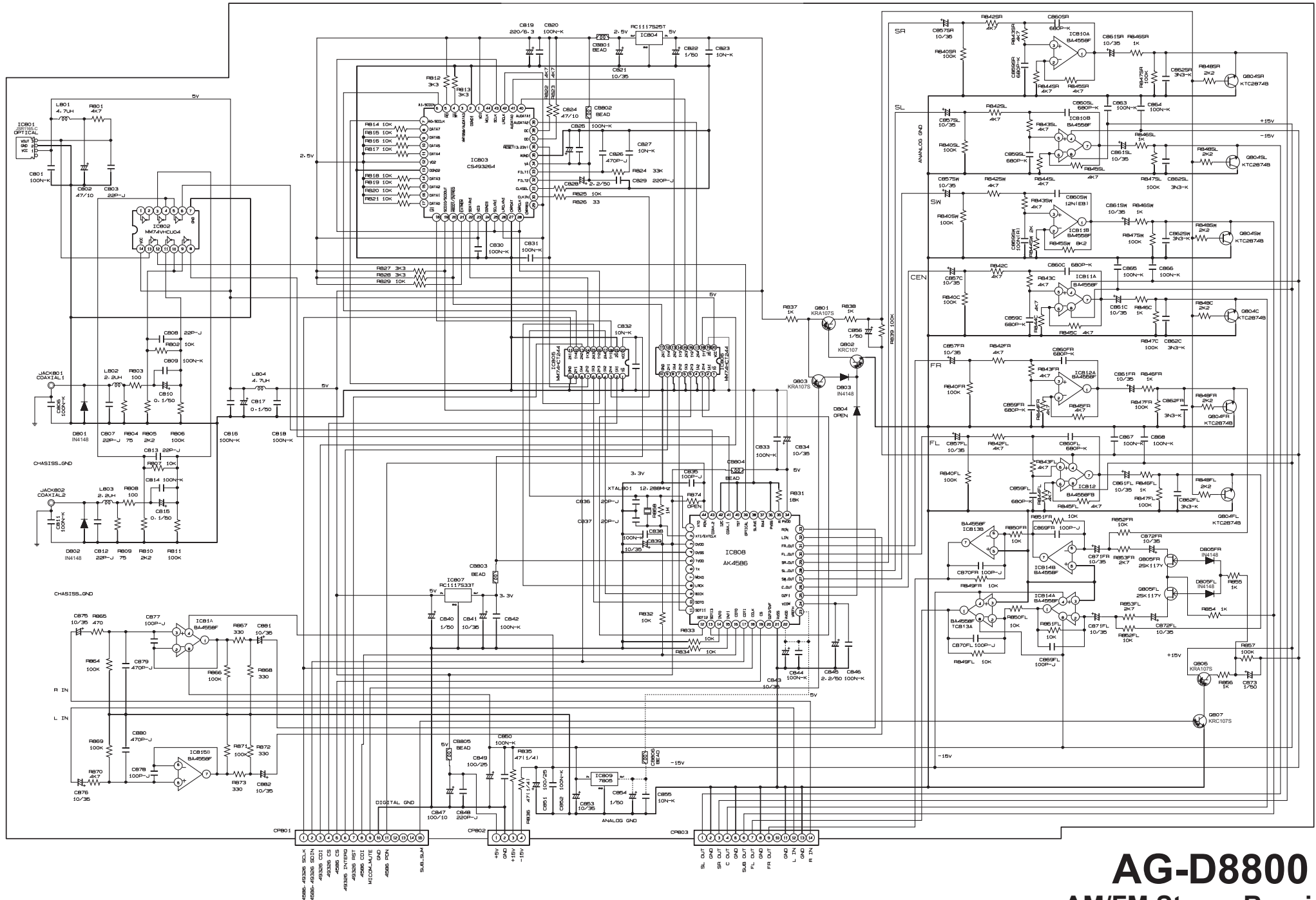
FRONT PCB



SET OPTION

	R315	R316	R317	R318
T/C	DEL	47K	DEL	47K
EUR	10K	4K7	15K	10K
CHI	10K	15K	DEL	47K
AUS	10K	4K7	DEL	47K
ASIA	10K	4K7	DEL	47K

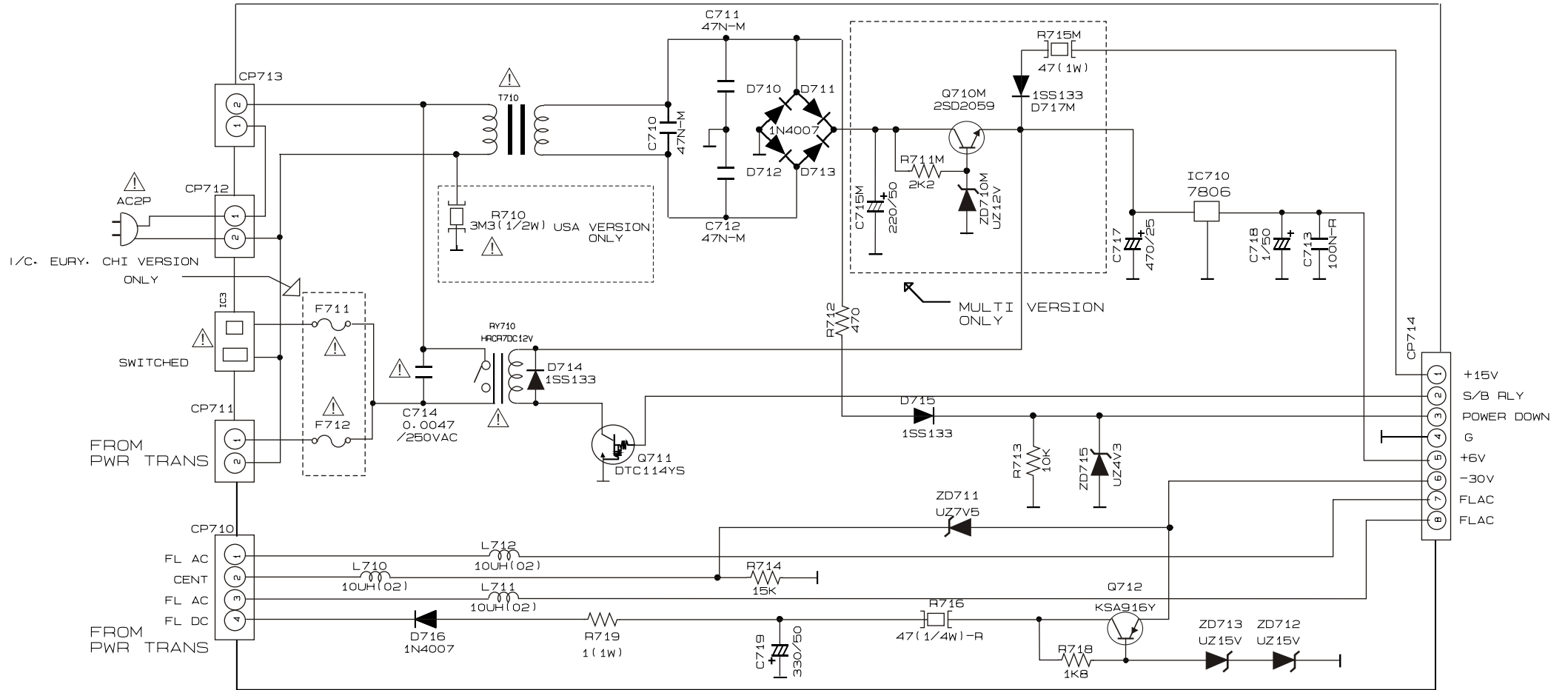
AG-D8800
AM/FM Stereo Receiver



AG-D8800

AM/FM Stereo Receiver

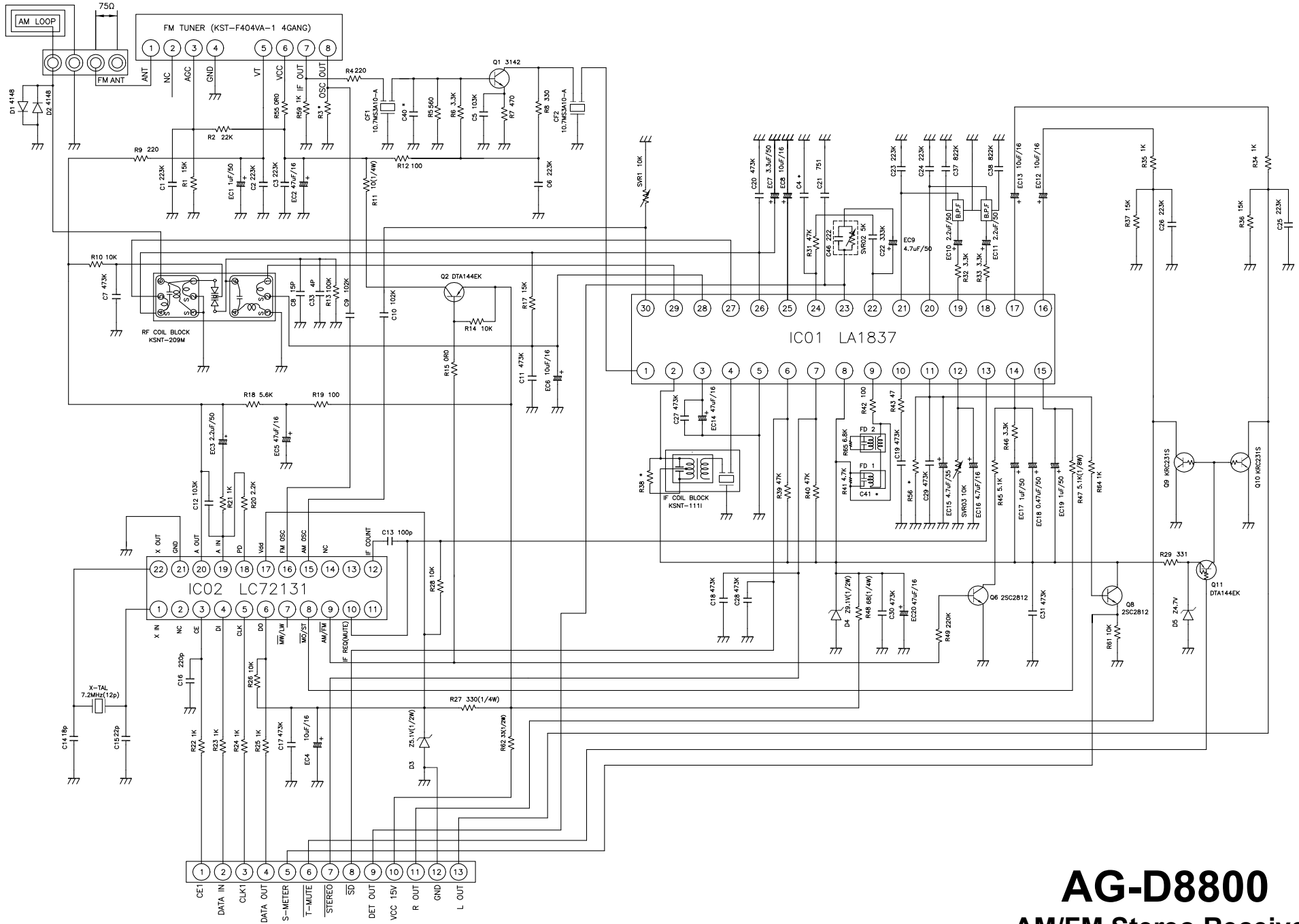
POWER PCB



FUSE RATING			
DEST.	REF NO.	F711	F712
T/C			SB8A 250V
EURY/CHI	T2.5AL 250V	T6.3AL 250V	
AUS/ASIA		T6.3AL 250V	

AG-D8800
AM/FM Stereo Receiver

FM TUNER PCB



AG-D8800
AM/FM Stereo Receiver